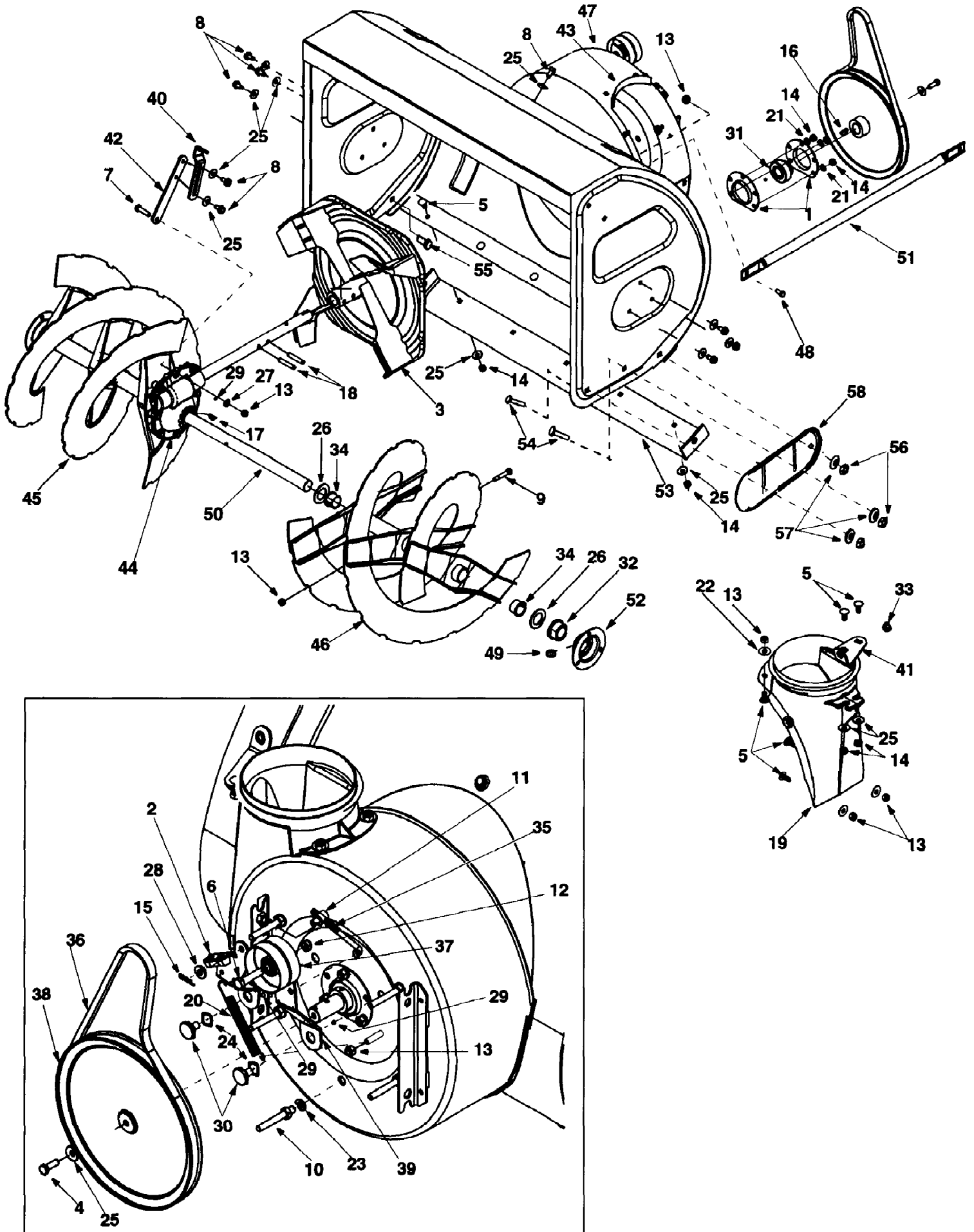


31AE993J190 Snow Boss 1355W (2000)
Auger Assembly & Drive Belt



31AE993J190 Snow Boss 1355W (2000)
Auger Assembly & Drive Belt

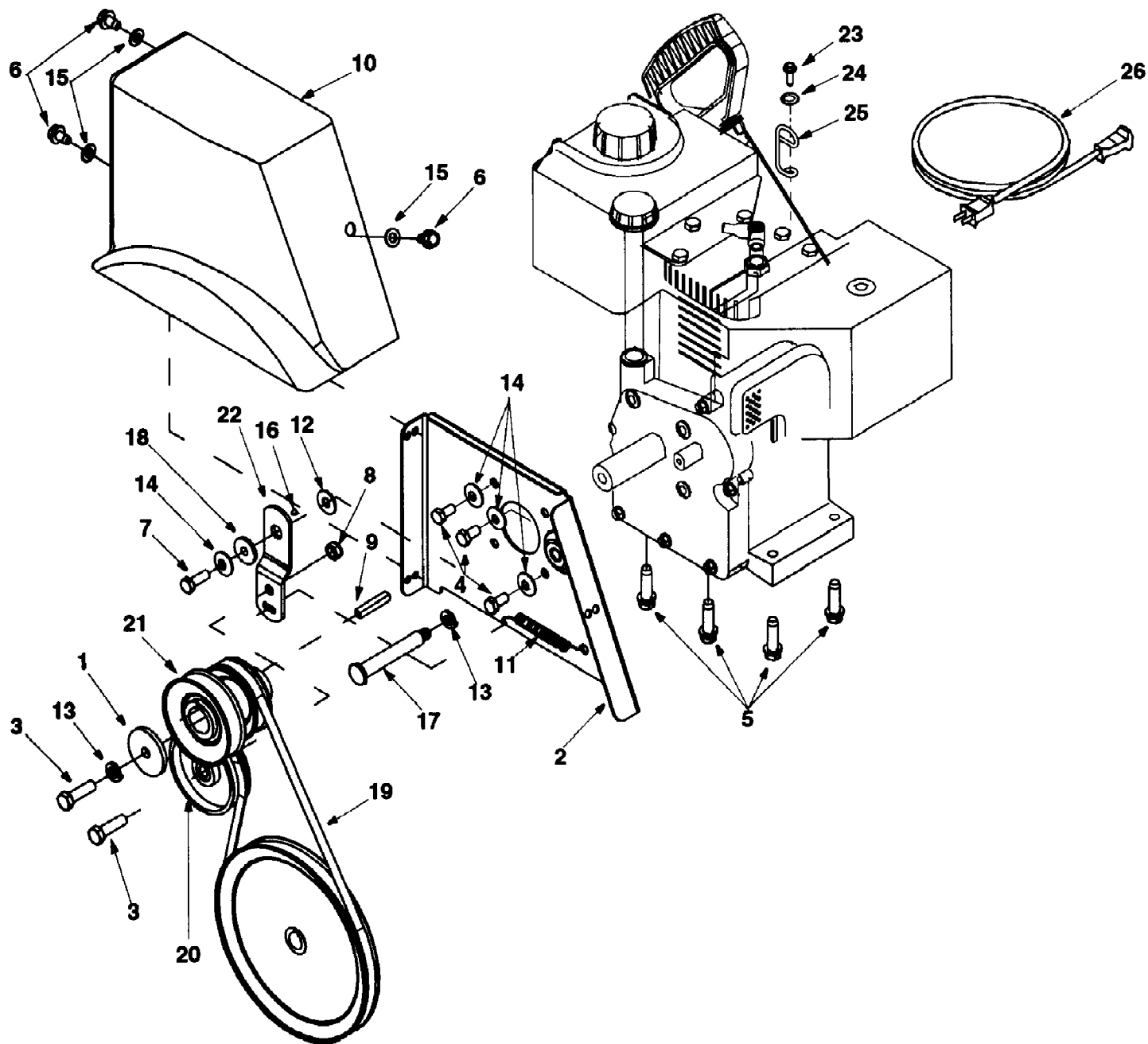
Page 2 of 12

Ref #	Part Number	Qty	S/P/F	Description
1	05244A	1	S	Bearing Housing
2	618-0281A	1	S	Bracket Assembly: Auger Break
3	684-0090A	1	S	Impeller Assembly: 16"
4	710-0371	1	/P	Hex Lock Bolt 5/16-18 x .875"
5	710-0451	1	/P	Carriage Bolt 5/16-18 x .750"
6	710-0459A	1	/P	Hex Screw, Special 3/8-24 x 1.5"
7	710-0528	1	/P	Hex Screw 5/16-18 x 1.25"
8	710-0604	1	S	Self-Tapp. Screw 5/16-18 x .625"
9	710-0891	1	/P	Shear Bolt 5/16-18 x 1.75"
10	711-0640	1	S	Stud
11	711-0677	1	S	Ferrule
12	712-0116	1	S	Jam Nut 3/8-24
13	712-0429	1	S	Hex Lock Nut 5/16-18
14	712-3010	1	S	Hex Nut 5/16-18
15	714-0104	1	S	Hairpin Clip
16	714-0126	1	S	Key
17	714-0135	1	S	Key
18	715-0118	1	S	Spiral Pin
19	731-1696	1	S	Chute Adapter
20	732-0858	1		Extension Spring
21	736-0119	1	S	Lock Washer
22	736-0159	1	S	5/16 Washer
23	736-0169	1	S	Lock Washer
24	736-0174	1	/P	Wave Washer
25	736-0242	1	/P	Beleville Washer
26	736-0250	1	/P	Flat Washer
27	736-0271	1	S	Spring Washer
28	736-3008	1	S	Flat Washer
29	737-3007	1		Grease
30	738-0281	1	S	Shoulder Screw
31	741-0185	1	S	Self-Aligning Bearing
32	741-0192	1		Flange Bearing w/ Flats
33	741-0475	1	S	Plastic Bushing
34	741-0494	1		Flange Bushing
35	747-0980	1		Idler Rod: Auger
36	754-0222	1	S	V-Belt
37	756-0178	1		Flat Idler
38	756-0243	1		Pulley
39	784-0385A	1	S	Idler Bracket: Auger
40	784-5076	1	S	Support Bracket
41	784-5123	1	S	Chute Crank Bracket
42	784-5710	1	S	Support Plate
43	784-5711	1	S	Chute Bracket
44	618-0436	1		Gear Assembly: Auger w/Grease Fitting
45	684-0072-0662	1	S	Spiral Assembly RH
46	684-0073-0662	1	S	Spiral Assembly LH
47	684-0155-0662	1	S	Auger Housing Assembly
48	710-3008	1	/P	Hex Screw 5/16-18 x .75"
49	737-3000	1	S	Lube Fitting
50	738-0492	1		Spiral Axle
51	749-1117	1		Support Tube
52	784-0315	1	S	Bearing Housing
53	784-5696	1	S	Support Plate

31AE993J190 Snow Boss 1355W (2000)
Auger Assembly & Drive Belt

Ref #	Part Number	Qty	S/P/F	Description
54	710-0389	1	/P	Carriage Screw
55	710-3168	1	/P	Carriage Bolt
56	712-0798	1	/P	Hex Nut 3/8-16
57	736-0105	1	/P	Bell Washer
58	784-5697-0662	1		Slide Shoe

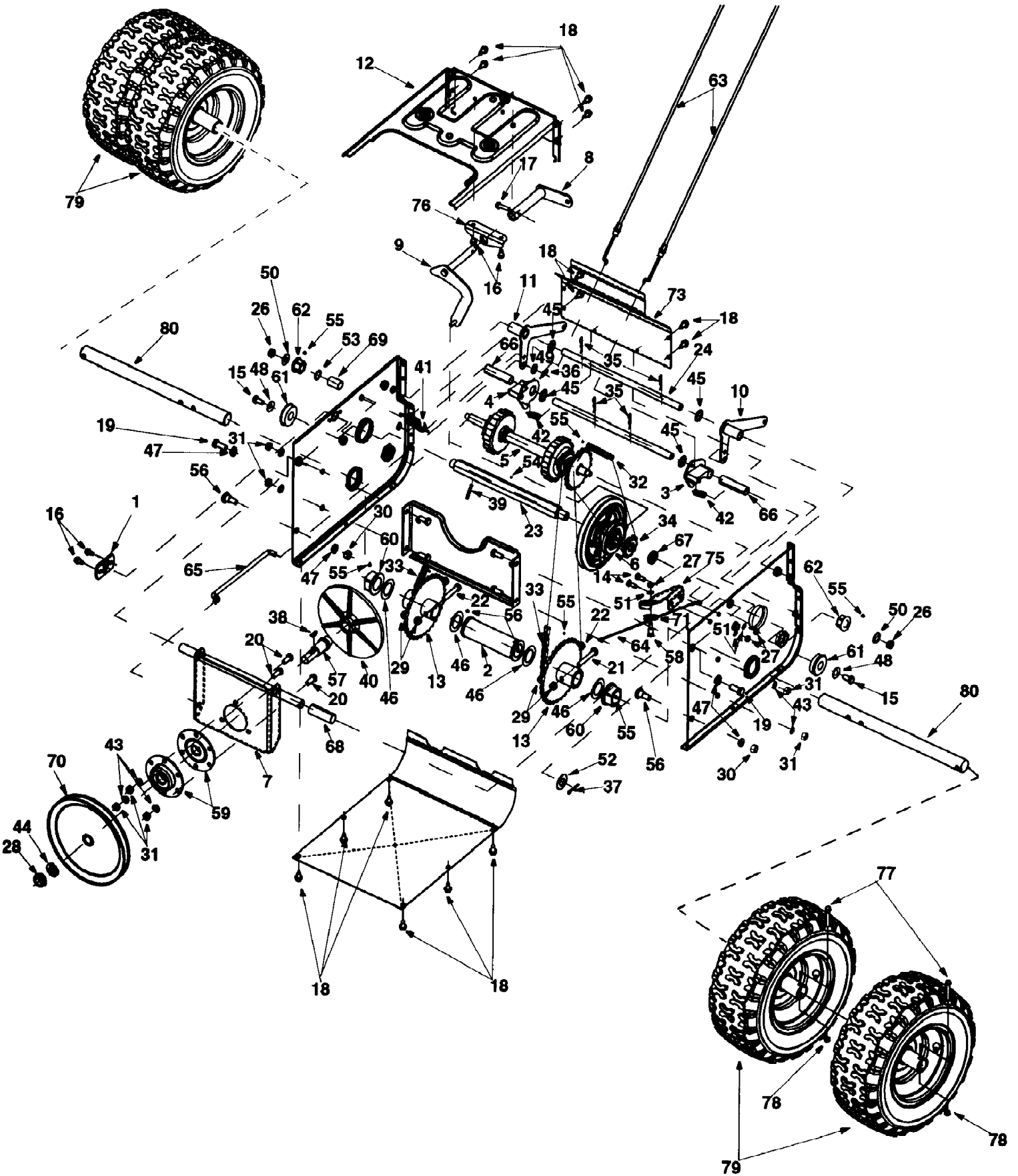
31AE993J190 Snow Boss 1355W (2000)
Drive Belt



31AE993J190 Snow Boss 1355W (2000)
Drive Belt

Page 5 of 12

Ref #	Part Number	Qty	S/P/F	Description
1	07386	1		Washer
2	684-0123A	1	S	Belt Cover Bracket Assembly
3	710-0191	1	/P	Hex Screw 3/8-24 x 1.25"
4	710-0237	1	/P	Hex Screw 5/16-24 x .625"
5	710-0502A	1	/P	TT Sems Screw
6	710-0607	1	/P	TT Screw 5/16-18 x 0.5"
7	710-1245	1	/P	Hex Lock Screw 5/16-24 x .875"
8	712-0116	1	S	Jam Nut
9	714-0118	1	/P	Key
10	731-0321	1	S	Belt Cover
11	732-0303	1	S	Extension Spring
12	736-0159	1	S	5/16 Washer
13	736-0217	1	S	Lock Washer
14	736-0242	1	/P	Beleville Washer
15	736-0264	1	S	Flat Washer
16	737-3007	1		Grease
17	738-0215A	1	/P	Shoulder Screw
18	748-0234	1	/P	Shoulder Spacer
19	754-0131	1	S	V-Belt
20	756-0240	1		Flat Idler
21	756-0241B	1	/P	Double Pulley
22	784-5726	1		Idler Bracket
23	712-0324	1	/P	Hex Lock Nut: 1/4-20
24	732-0705	1		Cable Guide
25	736-0173	1	/P	Flat Washer
26	629-0071	1	S	Extension Cord: 110V, 3-prong



31AE993J190 Snow Boss 1355W (2000)
Frame/Drive/Wheels

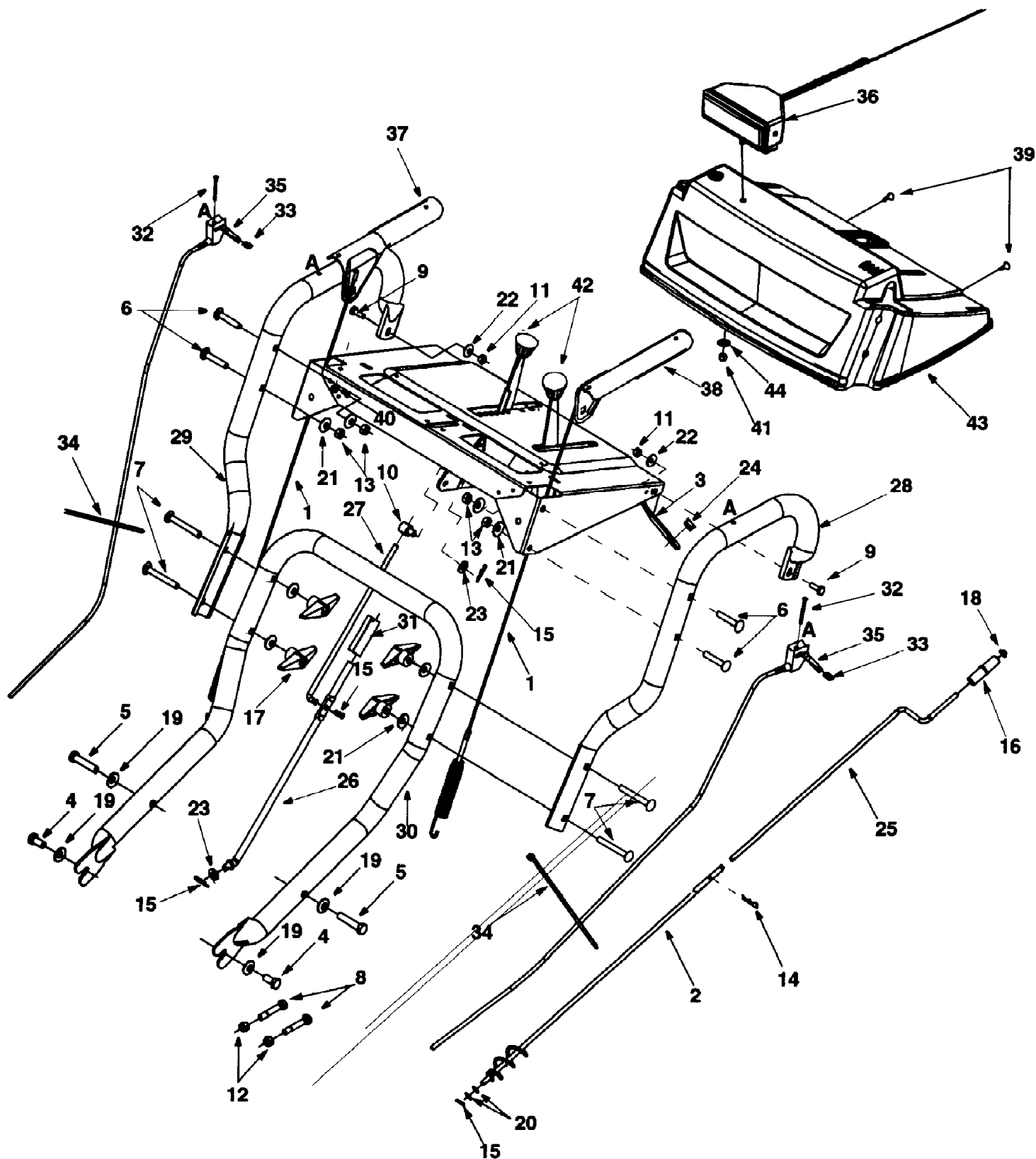
Page 7 of 12

Ref #	Part Number	Qty	S/P/F	Description
1	05523	1		Support Bracket: Pivot
2	618-0278	1		Bush Assembly
3	618-0279	1	S	Dogg Assembly LH
4	618-0280	1	S	Dogg Assembly RH
5	618-0282B	1	S	Shift Assembly
6	618-0296	1	S	Wheel Bearing Assembly
7	684-0115	1	S	Support Bracket Assembly
8	684-0116	1		Shift Arm Assembly
9	684-0117	1		Shift Rod Assembly
10	684-0118	1	S	Auger Actuator Bracket Assy.
11	684-0119	1	S	Drive Actuator Bracket Assy.
12	684-0120-0662	1		Frame Assembly
13	684-0122	1		Sprocket Assembly
14	710-0195	1	S	Hex Screw 1/4-28 x .625"
15	710-0538	1	/P	Hex Screw 5/16-18 x .625"
16	710-0599	1	/P	TT Screw 1/4-20 x .5"
17	710-0788	1	/P	TT Screw 1/4-20 x 1"
18	710-1652	1	/P	TT Screw 1/4-20 x .625"
19	710-3001	1	/P	Hex Screw 3/8-16 x.880"
20	710-3008	1	/P	Hex Screw 5/16-18 x .75"
21	710-3103	1	/P	Hex Screw 5/16-18 x 2"
22	710-3180	1	/P	Hex Screw 5/16-18 x 1.75"
23	711-1191	1		Hex Shaft: Drive
24	711-1193	1		Actuator Shaft
?25	711-1194	1		Actuator Drive Shaft
26	712-0116	1	S	Lock Nut
27	712-0138	1	S	Hex Nut 1/4-28
28	712-0221	1		Jam Lock Nut
29	712-0429	1	S	Hex Lock Nut
30	712-0798	1	/P	Hex Nut 3/8-16
31	712-3010	1	S	Hex Nut 5/16-18
32	713-0284	1		Chain
33	713-0286	1	/P	Chain
34	713-0413	1		Sprocket
35	714-0101	1	S	Hairpin Clip
36	714-0104	1	S	Hairpin Clip
37	714-0115	1	S	Cotter Pin
38	714-0388	1	S	Key
39	715-0249	1	S	Roll Pin
40	717-0302	1	S	Drive Plate
41	732-0121	1	S	Extension Spring
42	732-0209	1	S	Extension Spring
43	736-0119	1	S	Lock Washer 5/16
44	736-0158	1	S	Lock Washer 5/8
45	736-0160	1	S	Flat Washer
46	736-0163	1	S	Flat Washer
47	736-0217	1	S	Lock Washer
48	736-0242	1	/P	Beleville Washer
49	736-0275	1	S	Flat Washer
50	736-0300	1	S	Flat Washer
51	736-0329	1	S	Lock Washer
52	736-0623	1	S	Flat Washer
53	736-0639	1		Flat Washer

31AE993J190 Snow Boss 1355W (2000)
Frame/Drive/Wheels

Page 8 of 12

Ref #	Part Number	Qty	S/P/F	Description
54	737-0170	1		Lubricant
55	737-3007	1		Grease
56	738-0143	1	/P	Shoulder Screw
57	738-0279	1		Spindle: Drive Plate
58	738-0924	1	S	Shoulder Screw 1/4-28 x.375"
59	741-0163A	1	/P	Bearing Housing Assembly
60	741-0192	1		Flange Bearing
61	741-0563	1	S	Ball Bearing
62	741-1111	1		Hex Flange Bearing
63	746-0949	1	S	Steer Cable
64	746-0951	1	S	Idler Cable: Auger
65	747-0973	1		Clutch Rod: Drive
66	750-0903	1	S	Split Spacer
67	750-0997	1	S	Spacer
68	750-1097	1		Split Spacer
69	750-1196	1		Spacer
70	756-0344	1	/P	Drive Pulley
71	756-0625	1		Roller Cable
?72	784-0377	1	S	Frame Support Bracket
73	784-0379	1		Frame Cover: Upper
?74	784-0380	1		Frame Cover: Lower
75	784-0384	1	S	Auger Cable Bracket
76	784-5590	1		Bracket: Shift - Frame
77	710-3103	1	/P	Hex Screw 5/16-18 x 2"
78	712-0429	1	S	Lock Nut
79	734-1593	1		Wheel
80	738-1137	1		Axle: Wheel

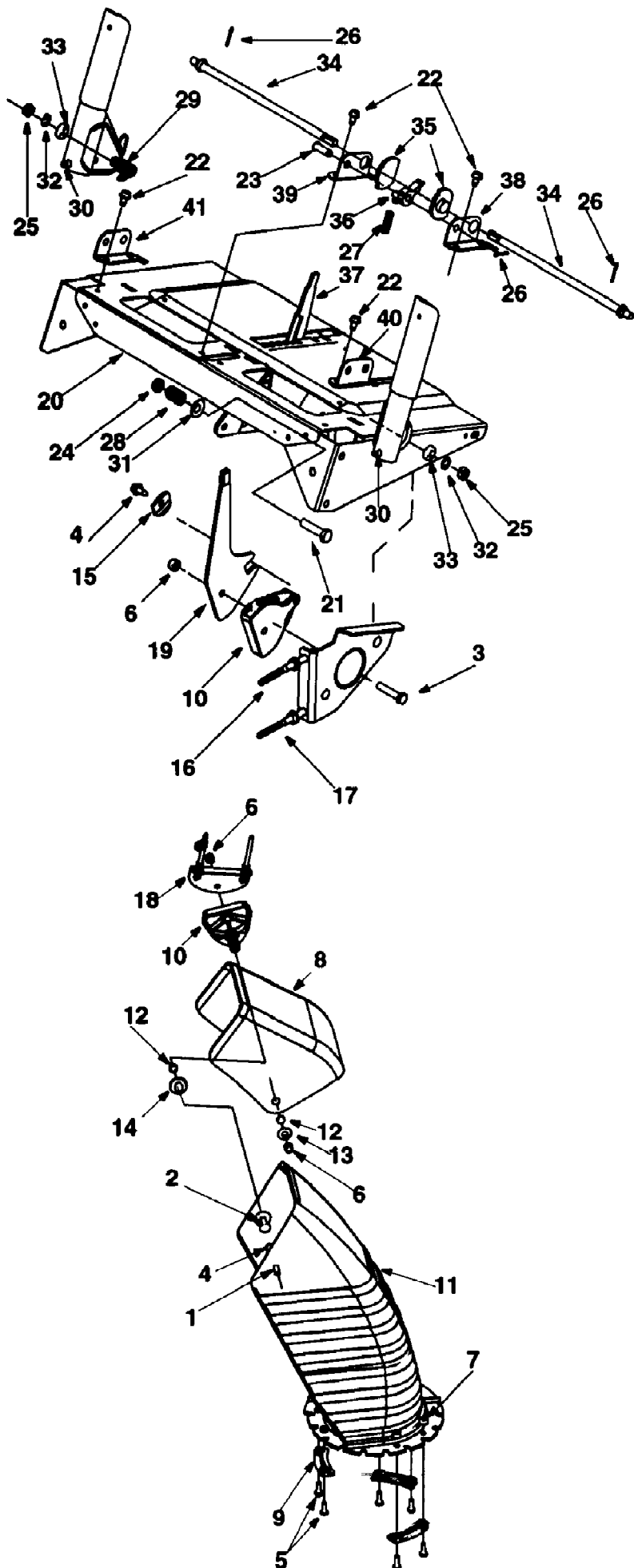


31AE993J190 Snow Boss 1355W (2000)
Handle & Control Assembly

Page 10 of 12

Ref #	Part Number	Qty	S/P/F	Description
1	646-0012	1		Cable Assembly: Auger/Drive Engagement
2	684-0053A	1	S	Chute Crank Assembly
3	705-5266	1	S	Chute Crank Bracket
4	710-0216	1	/P	Hex Screw 3/8-16 x .75"
5	710-0347	1	/P	Hex Screw 3/8-16 x 1.75"
6	710-0458	1	/P	Carriage Bolt 5/16-18 x 1.75"
7	710-0572	1	/P	Carriage Bolt 5/16-18 x 2.5"
8	710-0891	1	/P	Shear Bolt 5/16-18 x 1.75"
9	710-3015	1	/P	Hex Screw 1/4-20 x .75"
10	711-0677	1	S	Ferrule
11	712-0287	1	S	Hex Nut 1/4-20
12	712-0429	1	S	Hex Lock Nut
13	712-3010	1	S	Hex Nut
14	714-0101	1	S	Hairpin Clip
15	714-0104	1	S	Hairpin Clip
16	720-0201A	1	/P	Chute Crank Knob
17	720-0284	1	S	Knob
18	726-0100	1	S	Push Cap
19	736-0105	1	/P	Bell Washer
20	736-0185	1	S	Flat Washer
21	736-0242	1	/P	Beleville Washer
22	736-0270	1	/P	Bell Washer
23	736-0275	1	S	Flat Washer
24	741-0475	1	S	Plastic Bushing
25	747-0624	1	S	Chute Crank
26	747-0983	1	S	Lower Shift Rod
27	747-0997	1		Upper Shift Rod
28	749-0989A	1		Upper Handle LH
29	749-0990A	1		Upper Handle RH
30	749-0991	1		Lower Handle
31	750-0963	1	S	Clutch Rod Connector
32	710-1625	1		Oval C-Sunk Screw
33	712-0127	1	/P	Flat Weld Nut
34	725-0157	1	/P	Cable Tie
35	746-0950	1	S	Trigger Control
36	625-0007	1	S	Light Assembly
	725-1658	1	S	Halogen Lamp
	725-1672	1	S	Lens Assembly
37	705-5218	1		Handle Engagement RH
38	705-5219	1		Handle Engagement LH
39	710-1003	1	/P	Special B Screw
40	712-0271	1	/P	Hex Sems Nut
41	712-0429	1	S	Hex Lock Nut
42	720-0232	1	S	Shift Knob
43	731-0061	1		Handle Panel
44	736-0159	1	S	5/16 Washer

31AE993J190 Snow Boss 1355W (2000)
Handle Panel & Chute Assembly



31AE993J190 Snow Boss 1355W (2000)
Handle Panel & Chute Assembly

Page 12 of 12

Ref #	Part Number	Qty	S/P/F	Description
1	710-0276	1	/P	Carriage Screw
2	710-0458	1	/P	Carriage Bolt 5/16-18 x 1.75"
3	710-0805	1	/P	Hex Bolt 5/16-18 x 1.5"
4	710-0896	1	/P	Hex AB Screw 1/4-14 x .625"
5	710-3015	1	/P	Hex Screw 1/4-20 x .75"
6	712-0429	1	S	Hex Lock Nut
7	712-3027	1	S	Hex Flange Lock Nut
8	731-0849	1	S	Upper Chute
9	731-0851A	1	/P	Chute Flange Keeper
10	731-1313C	1	/P	Cable Guide: Chute Tilt
11	731-1318A	1	S	Lower Chute
12	731-1319	1	S	Spacer
13	736-0159	1	S	5/16 Washer
14	736-0231	1	S	Flat Washer
15	736-0506	1	S	Special Washer
16	746-0902	1	S	Chute Control Cable
17	746-0903	1	S	Chute Cable w/Clip
18	784-5594	1		Cable Bracket
19	784-5604	1	S	Chute Tilt Handle
20	684-0102-0662	1	S	Handle Panel Assembly w/ Tilt
21	710-0459A	1	/P	Hex Bolt 3/8-24 x 1.5"
22	710-0599	1	/P	TT Screw 1/4-20 x 0.5"
23	711-0653	1	/P	Clevis Pin
24	712-0116	1	S	Jam Nut
25	712-3010	1	S	Hex Nut
26	714-0507	1	S	Cotter Pin
27	732-0145	1	/P	Spring
28	732-0193	1	/P	Spring
29	732-0746	1		Torsion Spring
30	735-0199A	1	S	Rubber Bumper
31	736-0105	1	/P	Bell Washer
32	736-0119	1	S	Lock Washer
33	736-0509	1		Special Washer
34	747-0877	1		Cam Rod
35	748-0362	1		Cam: Handle Lock
36	748-0363	1	S	Pawl: Handle Lock
37	784-5619A	1	S	Shift Handle
38	784-5679	1	S	Handle Suppt. Bracket 5/8 LH
39	784-5680	1	S	Handle Suppt. Bracket 5/8 RH
40	784-5681	1	/P	Handle Suppt. Bracket 3/8 LH
41	784-5682	1	S	Handle Suppt. Bracket 3/8 RH